

CAWO Mammo Cassettes

CAWO Mammo Screens



CAWO Mammo Cassettes

The CAWO Mammo Cassettes offer following features:

Lightweight durability

Combining features like reliability, durability, comfort and minimum weight in one cassette is not an easy task. Yet, CAWO has succeeded in doing so thanks to its innovative Macrolon technology, using an extremely tough and light plastic.

CAWO Mammo cassettes are easy to handle and shockproof. Above all, every cassette provides excellent diagnostic results.

Built to last

The CAWO Mammo cassettes have a sophisticated design with rubber corners to absorb shocks. CAWO cassettes are designed to last for many years in use.

More diagnostic information

The design of the CAWO Mammo cassette ensures that the edge of screen and film come into close contact with the thorax. The film is drawn closer to the thorax when the cassette is closed. The distance between the edge of the film and the thorax side of the cassette can thus be reduced to less than 2 mm.

Screen contact and light proof closure

The special design of the cassette foam provides greater pressure during the first few seconds after the cassette is closed, thus ensuring perfect contact between film and screen.

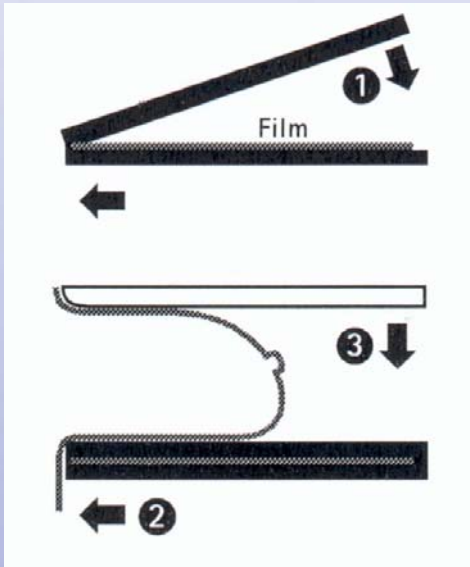
CAWO Mammo cassettes have pneumatic foam. The material creates a fast extraction which allows use of the cassette immediately after closure. Accidental opening is impossible, each cassette goes through quality-control before delivery.

User-friendliness

The cassette's tube side and back are easy to identify, guaranteeing the correct use of the cassette at all times..

CAWO Mammo Cassettes

More diagnostic information, low absorption and easy use.



CAWO Mammo Intensifying Screens

CAWO Mammo R200 or R300 intensifying screens

These single-sided orthochromatic green light emitting screens are designed for mammography applications. They contribute to the high definition obtained with the film-screen system. The smallest details and all clinically significant information throughout the breast image are sharply imaged.

CAWO Mammo R200 intensifying screens

High image quality combined with standard dose level

The CAWO Mammo R 200 screen offers superb image quality at standard dose levels. Outstanding diagnostic information is provided. This is the system of excellence for high image content, combined with standard dose level.

CAWO Mammo R300 intensifying screens

Reduced noise combined with low dose

The CAWO Mammo R300 screen is designed for use as a single back screen in the CAWO Mammo cassette, ensuring reduced noise at low dose.

Combination of technologies - outstanding sharpness

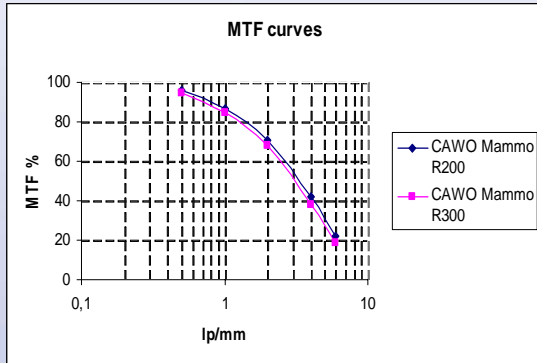
The outstanding sharpness of the CAWO Mammo R200 and R300 screens is obtained thanks to the combined implementation of the latest manufacturing technologies, enabling scattered light to be reduced to a minimum:

- the „light piping“technology, optimising the reflective and refractive optics
- the higher pigment to binder ratio improves resolution
- the thin coating of the CAWO Mammo R200 screen further reduces scattered light but by increasing the coating weight of the Mammo R300 screen the screen speed is improved while noise is reduced.

Recommendations

CAWO Mammo R200 and R300 screens must be protected from humidity. Do not expose to sunlight or ultraviolet rays. Otherwise screens may change colour or wrap. Remove dust and stains from the screen immediately.

Modulation Transfer Function



The MTF curve results from measurements which indicate a degree of the „intrinsic sharpness“ of the film-screen system as perceived on the image. The total image quality depends on other factors besides the „intrinsic sharpness“. The main factors are: graininess, noise, film, contrast, optical density and aesthetic aspects like image tint, etc.

Cleaning instructions

Only use CAWO Screen Cleaner to clean the CAWO Mammo screens. Moisten a piece of gauze with the cleaner. Gently wipe the screen surface. After cleaning, dry the screen with a clean piece of gauze. Leave the cassette open and place it open and upside down to allow it to dry before reloading the film.

CAWO Mammo combinations

Standard (no ID-window) or with US-ID-/ or EU-ID-window. With mounted CAWO R200 or CAWO R300 intensifying screen.

Specifications

Formats

R200

Metric	Standard	US window	EU window
18x24 cm	EMHPL	EL4ZH	EL4XD
24x30 cm	EMHQN	EL41K	EL4YF

R300

Metric	Standard	US window	EU window
18x24 cm	EMHRP	EL6VH	EL6TD
24x30 cm	EMHSR	EL6WK	EL6UF

CAWO Photochemisches Werk GmbH

P.O. Box 1129

D - 86521 Schrobenhausen

Tel.:(++49) 8252 9109-0

Fax: (++49) 8252 9109-19

Internet: www.cawo.com

E-mail: cawo@cawo.com

